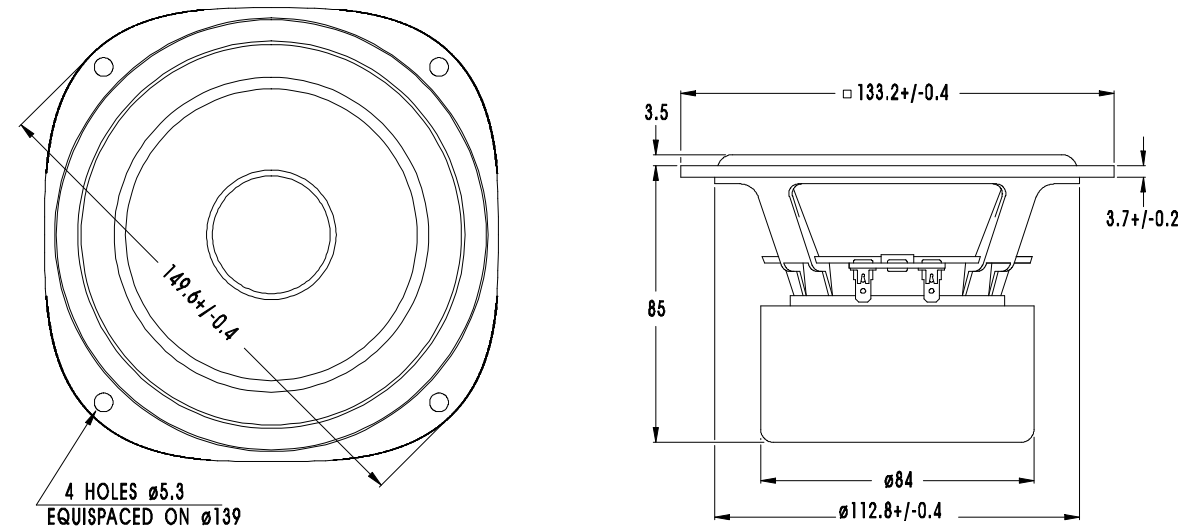


WOOFER

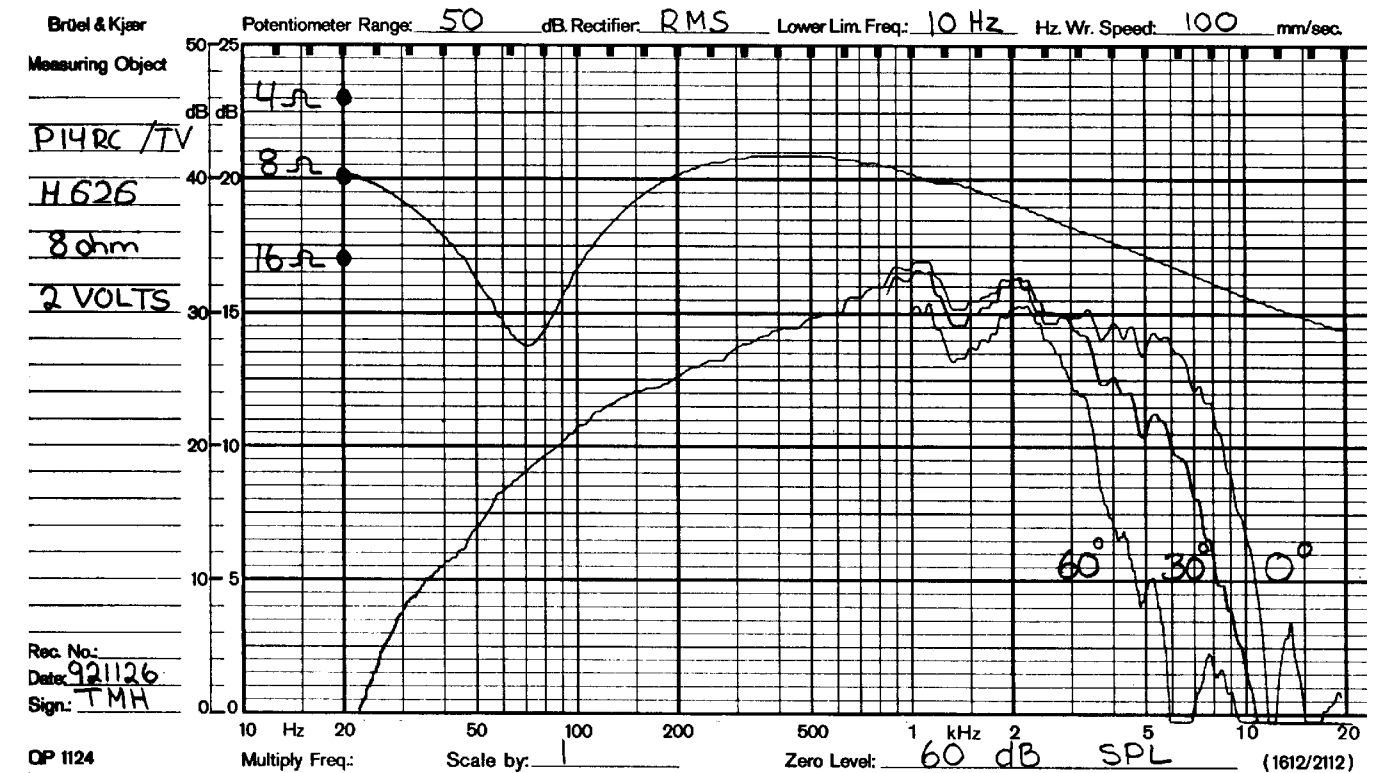
P14RC/TV



P14RC-TV is a 5" High Fidelity bass/midrange unit with a stiff and stable injection moulded metal chassis. A compensation magnet and a shielding cup are mounted on the magnet system to eliminate magnetic stray fields, hence the unit can be used very close to CRT's in Audio Video applications. The fine low frequency response and a clean uncoloured midrange of this unit make small, high quality two way systems possible. High efficiency and smooth frequency response are products of the careful matching between a polypropylene cone, a natural rubber surround and a soft PVC dust cap. A high temperature voice coil wound on an aluminium voice coil former provides high power handling capacity. The magnet system provides high sensitivity and a low Q for bass reflex applications. The P14RC-TV may also be applied as a specialized midrange in larger high quality systems.

NOTES

Response curve recorded in anechoic chamber (Free-field, 4 pi radiation) with 0.5m microphone distance. The loudspeaker is mounted in a closed box of 7 l net. volume



NOMINAL IMPEDANCE	8 Ohms	VOICE COIL RESISTANCE	5.7 Ohms
RECOMMENDED FREQUENCY RANGE	45-4000 Hz	VOICE COIL INDUCTANCE (EQUIVALENT)	0.65 mH
SHORT TERM MAXIMUM POWER *	250 W	FORCE FACTOR	6.5 N/A
LONG TERM MAXIMUM POWER*	60 W	FREE AIR RESONANCE	40 Hz
CHARACTERISTIC SENSITIVITY (1W, 1m)	89.5 dB SPL	MOVING MASS	7.0 g
OPERATING POWER (96 dB SPL, 1 m)	4.5 W	AIR LOAD MASS IN IEC BAFFLE	0.5 g
VOICE COIL DIAMETER	26 mm	SUSPENSION COMPLIANCE	2.2 mm/N
VOICE COIL HEIGHT	12 mm	SUSPENSION MECHANICAL RESISTANCE	1.4 Ns/m
AIR GAP HEIGHT	6.0 mm	EFFECTIVE PISTON AREA	80 sq.cm
LINEAR COIL TRAVEL (p-p)	6.0 mm		
MAXIMUM COIL TRAVEL (p-p)	14 mm	VAS	18.9 Litres
MAGNETIC GAP FLUX DENSITY	1.15 T	QMS	1.35
MAGNET WEIGHT	0.5 Kg	QES	0.25
TOTAL WEIGHT	1.28 Kg	QTS	0.21

* = IEC 268-5