

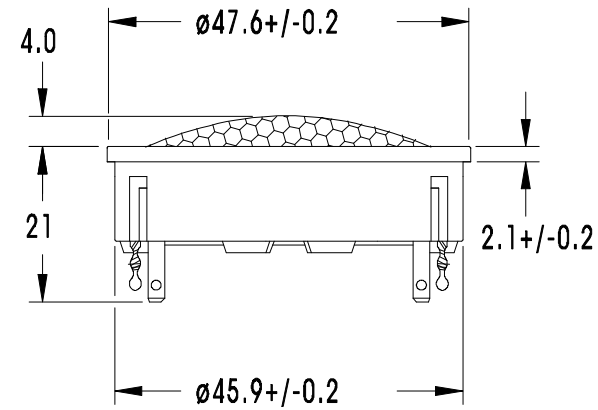
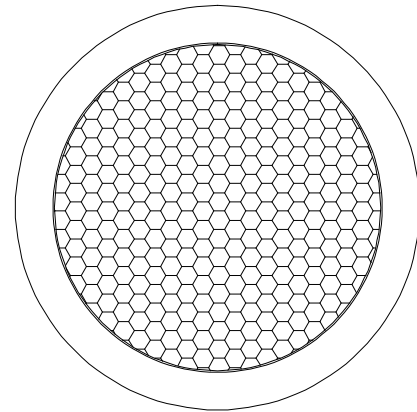
seas

OF NORWAY

H 615

TWEETER

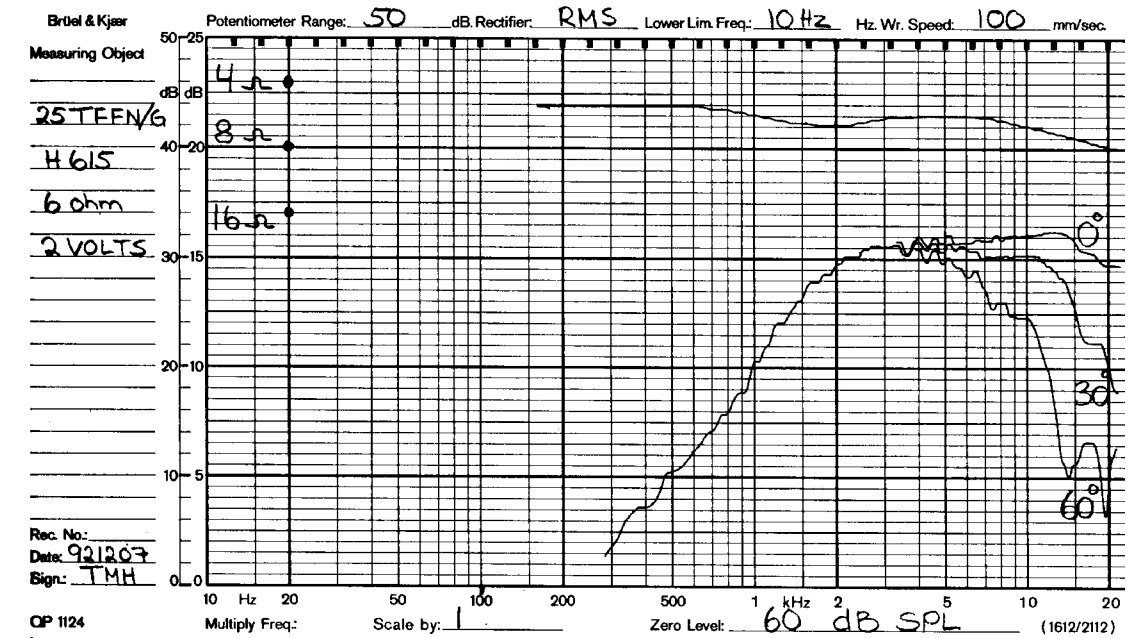
25TFFN/G



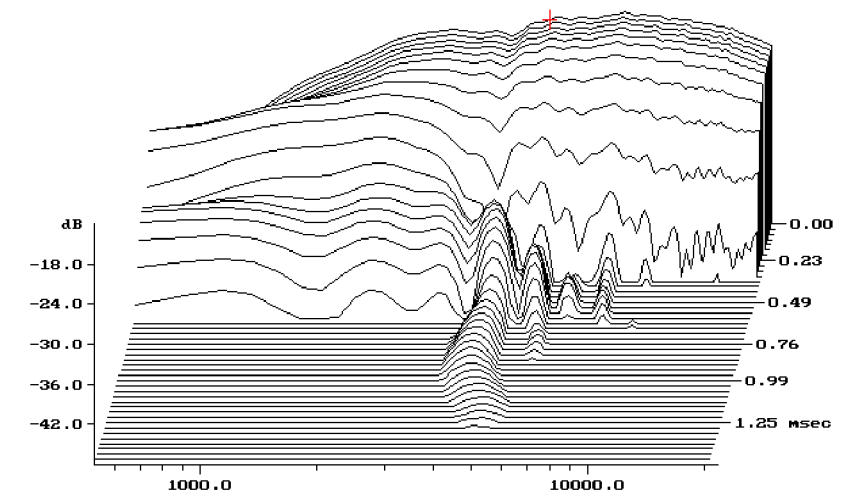
25mm High Fidelity dome tweeter with a very small glass fibre reinforced plastic chassis. The neodymium magnet allows a high quality speaker in a very compact design. This unit gives new possibilities in loudspeaker cabinet design, and is well suited for use in automobile sound. The construction of the magnet system gives very low magnetic stray fields since the magnet is enclosed in a soft steel housing. Thus, this unit is immediately ready for Audio-video systems. The diaphragm is vacuum formed from a precoated fabric. This unique SEAS technology gives a vast improvement in consistency compared with other coating methods. Careful matching of fabric and coating results in a very smooth frequency response throughout the audible frequency range and gives a very high degree of stability against changes in air temperature and humidity. The voice coil is immersed in magnetic fluid, allowing high power handling capacity and simplified crossover design. A hexa grid protects the diaphragm.

NOTES

Response curve recorded in anechoic chamber (Free-field, 4 pi radiation) with 0.5m microphone distance. The loudspeaker is mounted in a 0.6m by 0.8m baffle.



Cumulative spectral decay



NOMINAL IMPEDANCE	6 Ohms	VOICE COIL RESISTANCE	4.8 Ohms
RECOMMENDED FREQUENCY RANGE	3000-25000 Hz	VOICE COIL INDUCTANCE (EQUIVALENT)	0.05 mH
SHORT TERM MAXIMUM POWER*	220 W	VOICE COIL DIAMETER	26 mm
LONG TERM MAXIMUM POWER*	90 W	VOICE COIL HEIGHT	1.5 mm
CHARACTERISTIC SENSITIVITY (1W , 1m)	89 dB SPL	MOVING MASS	0.3 g
OPERATING POWER (96 dB SPL , 1 m)	5.0 W	EFFECTIVE PISTON AREA	7.0 sq.cm
AIR GAP HEIGHT	2.0 mm	LINEAR COIL TRAVEL (p-p)	0.5 mm
MAGNETIC GAP FLUX DENSITY	1.3 T	FREE AIR RESONANCE	1800 Hz
FORCE FACTOR	2.45 N/A		
MAGNET WEIGHT	0.01 Kg		
TOTAL WEIGHT	0.09 Kg		

* IEC 268-5, VIA HIGH PASS BUTTERWORTH FILTER: 3500 Hz 12 dB/oct.