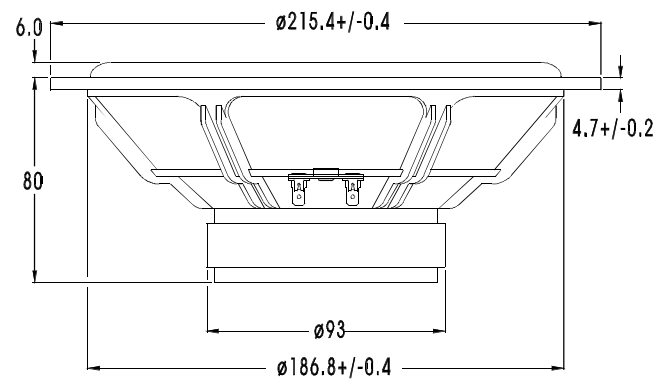
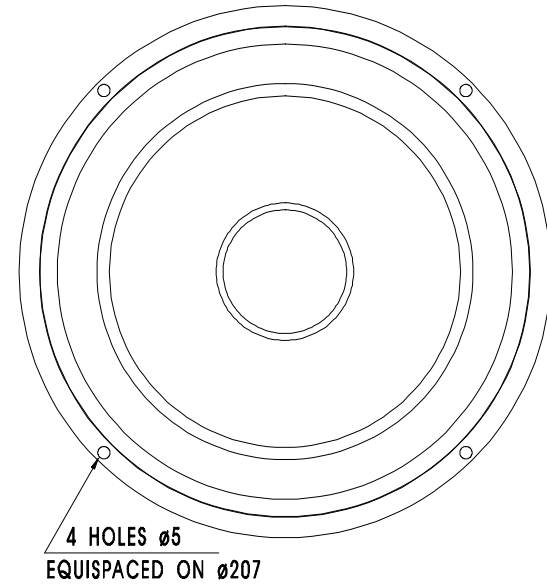


WOOFER

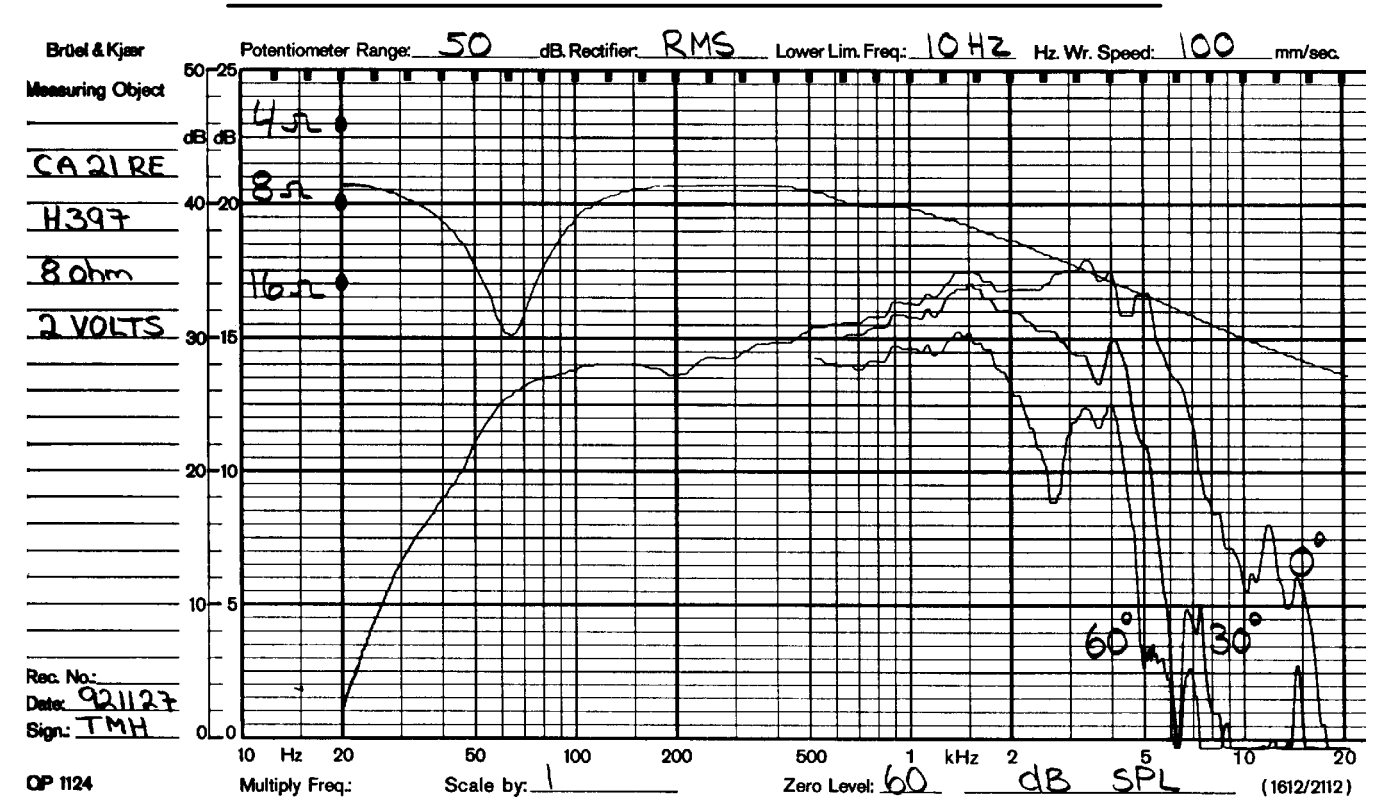
CA21RE



CA21RE is an 8" High Fidelity woofer with an injection moulded metal chassis. This unit has excellent mechanical matching between a paper cone, a paper dust cap and a low loss rubber surround. A special treatment of the cone produces a well behaved roll off characteristic and reduces potential resonance problems. The magnet system has a T-shaped cross section of the pole piece for low modulation distortion. A relatively large voice coil diameter gives a high power handling capacity.

NOTES

Response curve recorded in anechoic chamber (Free-field, 4 pi radiation) with 0.5m microphone distance. The loudspeaker is mounted in a closed box of 20 l net volume.



NOMINAL IMPEDANCE	8 Ohms	VOICE COIL RESISTANCE	6.1 Ohms
RECOMMENDED FREQUENCY RANGE	35-3000 Hz	VOICE COIL INDUCTANCE (EQUIVALENT)	0.6 mH
SHORT TERM MAXIMUM POWER *	250 W	FORCE FACTOR	7.0 N/A
LONG TERM MAXIMUM POWER *	80 W	FREE AIR RESONANCE	31 Hz
CHARACTERISTIC SENSITIVITY (1W,1m)	91 dB SPL	MOVING MASS	22 g
OPERATING POWER (96 dB SPL ,1 m)	3.2 W	AIR LOAD MASS IN IEC BAFFLE	2.0 g
		SUSPENSION COMPLIANCE	1.2 mm/N
VOICE COIL DIAMETER	39 mm	SUSPENSION MECHANICAL RESISTANCE	1.8 Ns/m
VOICE COIL HEIGHT	12 mm	EFFECTIVE PISTON AREA	230 sq.cm
AIR GAP HEIGHT	6.0 mm		
LINEAR COIL TRAVEL (p-p)	6.0 mm	VAS	81.3 Litres
MAXIMUM COIL TRAVEL (p-p)	19 mm	QMS	2.60
MAGNETIC GAP FLUX DENSITY	0.85 T	QES	0.58
MAGNET WEIGHT	0.42 Kg	QTS	0.48
TOTAL WEIGHT	1.49 Kg		

* = IEC 268-5