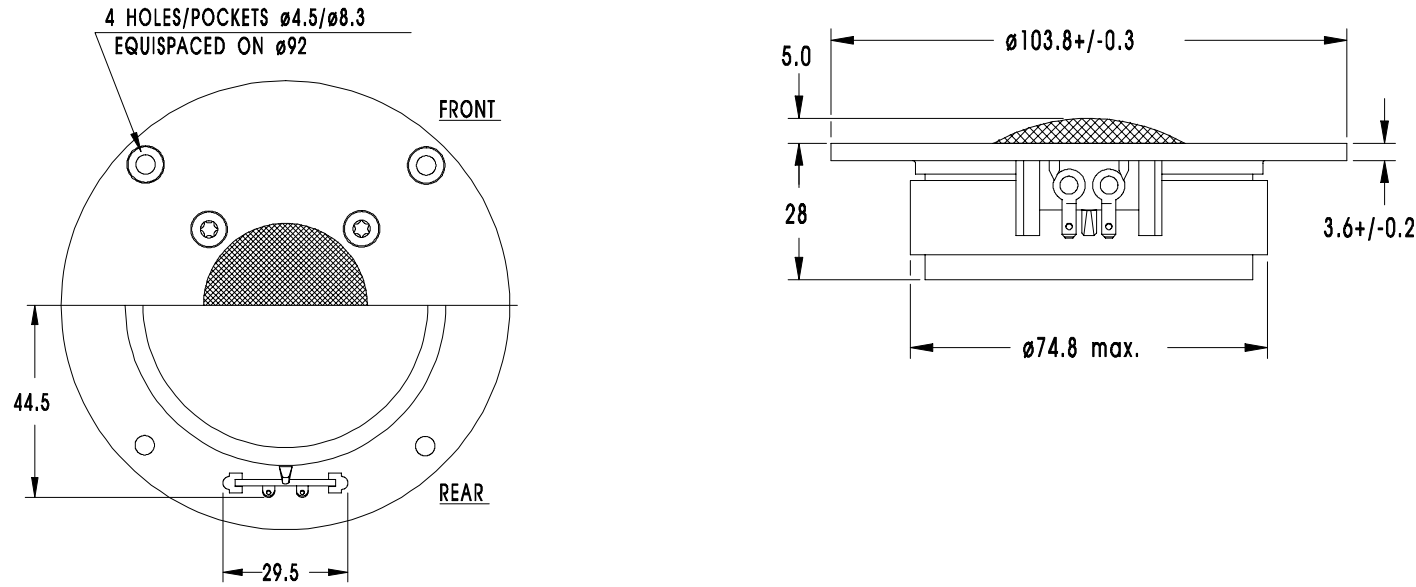


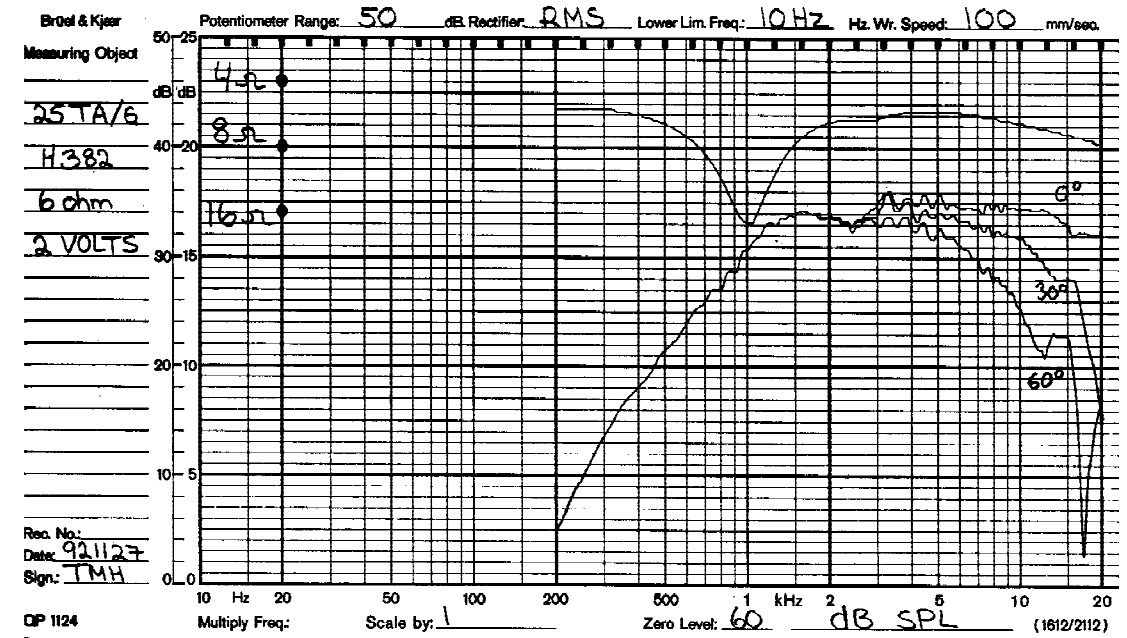
TWEETER

25TA/G

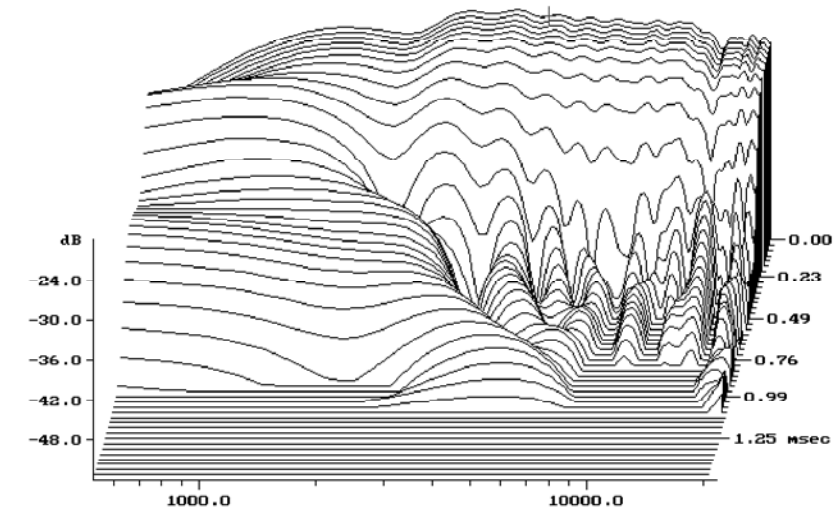


25mm High Fidelity dome tweeter with glass fibre reinforced plastic chassis. The unit features high efficiency and smooth, extended response. Its aluminium diaphragm with critically designed shape and thickness behaves like a piston throughout the audible frequency range, resulting in good dispersion above 10 kHz. A fine mesh grid protects the diaphragm, and supports a phase plate which compensates for a slight axial roll off towards 20 kHz. A specially designed soft surround allows a low fundamental frequency and excellent mechanical linearity.

NOTES



Cumulative spectral decay



NOMINAL IMPEDANCE	6 Ohms	VOICE COIL RESISTANCE	4.8 Ohms
RECOMMENDED FREQUENCY RANGE	3000-25000 Hz	VOICE COIL INDUCTANCE (EQUIVALENT)	0.05 mH
SHORT TERM MAXIMUM POWER*	160 W	VOICE COIL DIAMETER	26 mm
LONG TERM MAXIMUM POWER*	60 W	VOICE COIL HEIGHT	1.5 mm
CHARACTERISTIC SENSITIVITY (1W, 1m)	91 dB SPL	MOVING MASS	0.33 g
OPERATING POWER (96 dB SPL, 1 m)	3.2 W	EFFECTIVE PISTON AREA	7.0 sq.cm
AIR GAP HEIGHT	2.0 mm	LINEAR COIL TRAVEL (p-p)	0.5 mm
MAGNETIC GAP FLUX DENSITY	1.8 T	FREE AIR RESONANCE	1000 Hz
FORCE FACTOR	3.5 N/A		
MAGNET WEIGHT	0.25 Kg		
TOTAL WEIGHT	0.55 Kg		

* IEC 268-5, VIA HIGH PASS BUTTERWORTH FILTER: 4000 Hz 12 dB/oct.