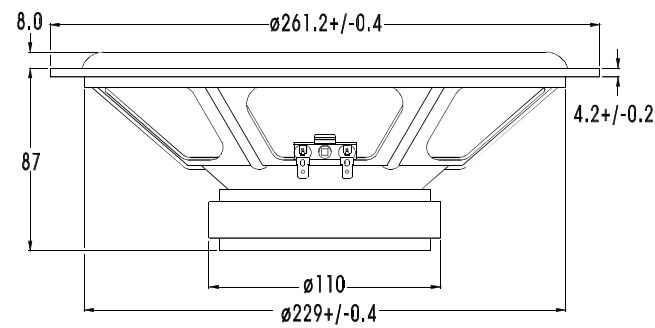
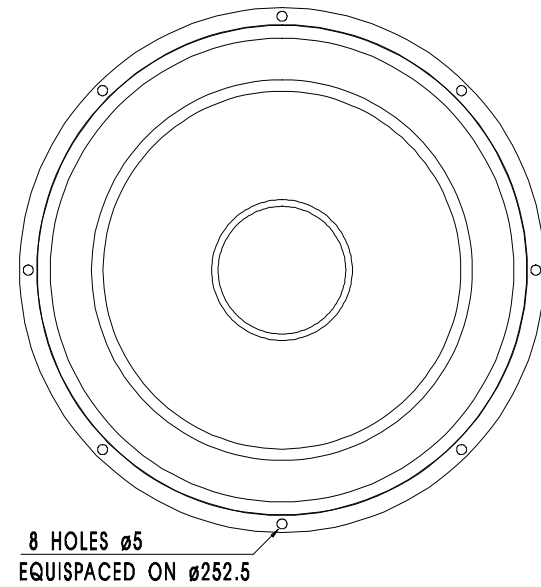


WOOFER

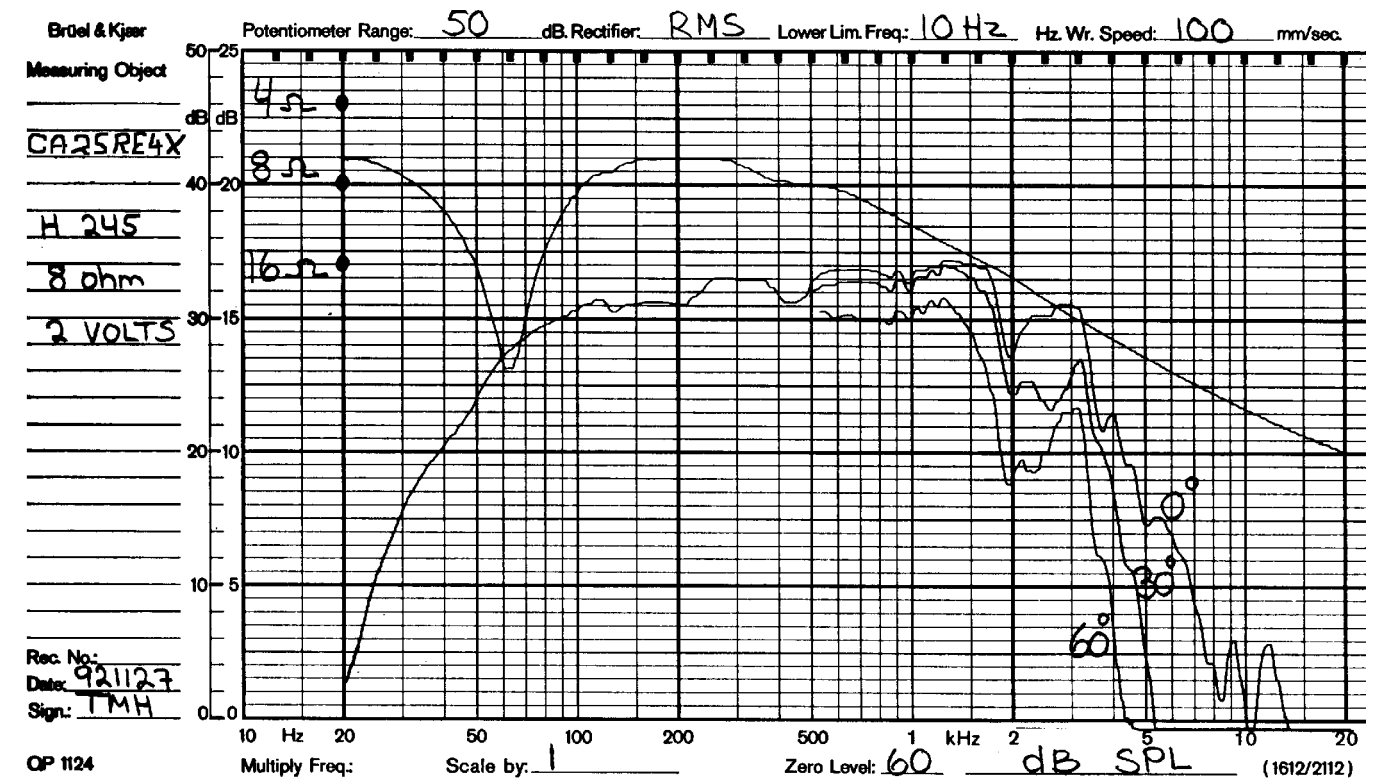
CA25RE4X



CA25RE4X is a 10" High Fidelity woofer with an injection moulded metal chassis. This unit has excellent mechanical matching between paper cone, paper dust cap and low loss rubber surround. A special treatment of the cone together with a four layer voice coil provide a well behaved roll off characteristic and reduce potential resonance problems. The magnet system has a T-shaped cross section of the pole piece for low modulation distortion. A relatively large voice coil diameter gives a high power handling capacity. A large magnet system gives high efficiency and low Q.

NOTES

Response curve recorded in anechoic chamber (Free-field, 4 pi radiation) with 0.5m microphone distance. The loudspeaker is mounted in a closed box of 28 l net volume.



| | | | |
|------------------------------------|------------|------------------------------------|--------------|
| NOMINAL IMPEDANCE | 8 Ohms | VOICE COIL RESISTANCE | 5.8 Ohms |
| RECOMMENDED FREQUENCY RANGE | 30-1500 Hz | VOICE COIL INDUCTANCE (EQUIVALENT) | 1.6 mH |
| SHORT TERM MAXIMUM POWER * | 300 W | FORCE FACTOR | 12 N/A |
| LONG TERM MAXIMUM POWER * | 80 W | FREE AIR RESONANCE | 24 Hz |
| CHARACTERISTIC SENSITIVITY (1W,1m) | 91 dB SPL | MOVING MASS | 36 g |
| OPERATING POWER (96 dB SPL ,1 m) | 3.2 W | AIR LOAD MASS IN IEC BAFFLE | 4.0 g |
| | | SUSPENSION COMPLIANCE | 1.2 mm/N |
| VOICE COIL DIAMETER | 39 mm | SUSPENSION MECHANICAL RESISTANCE | 1.6 Ns/m |
| VOICE COIL HEIGHT | 14 mm | EFFECTIVE PISTON AREA | 350 sq.cm |
| AIR GAP HEIGHT | 6.0 mm | | |
| LINEAR COIL TRAVEL (p-p) | 8.0 mm | | |
| MAXIMUM COIL TRAVEL (p-p) | 20 mm | VAS | 188.6 Litres |
| MAGNETIC GAP FLUX DENSITY | 0.90 T | QMS | 3.77 |
| MAGNET WEIGHT | 0.64 Kg | QES | 0.24 |
| TOTAL WEIGHT | 2.17 Kg | QTS | 0.23 |

* = IEC 268-5