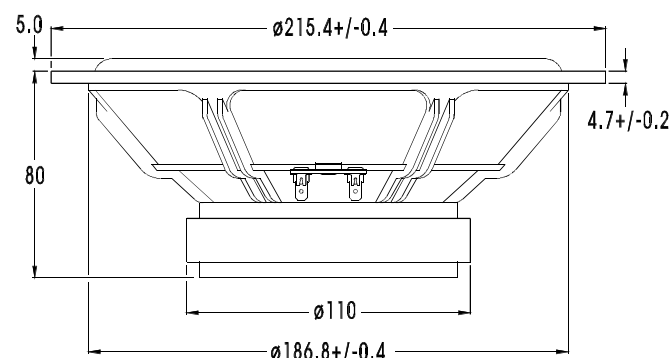
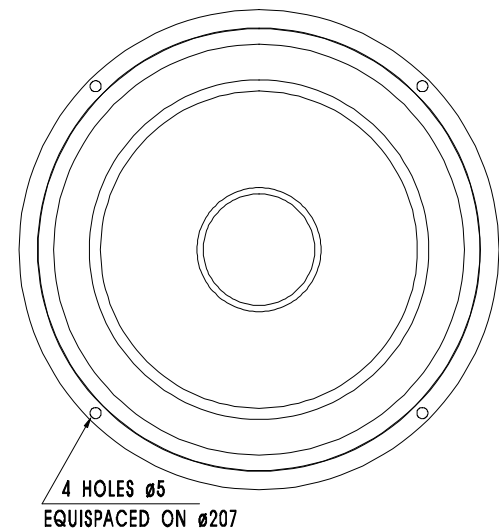




WOOFER

W21EX-001

E 004



The W21EX-001 is an 8" cone driver developed for use as a high fidelity Woofer. Choose it when you want piston-like behavior without resonance, smooth extended frequency response, linearized driving force, and low.

SPECIAL FEATURES:

Natural rubber surround and a specially treated, hard paper cone which is designed to be very stiff without losing the damping capability of paper and requires no additional coating.

Perfectly matched moving parts for a smooth, extended frequency response.

Large magnet system for improved sensitivity and transient response.

Heavy copper rings mounted above and below the T-shaped pole piece, to reduce non linear and modulation distortion and increase overload margin.

Copper plating of the top and bottom plates and a solid copper phase plug, which enhance the performance of the copper rings and improve heat conduction away from the pole piece.

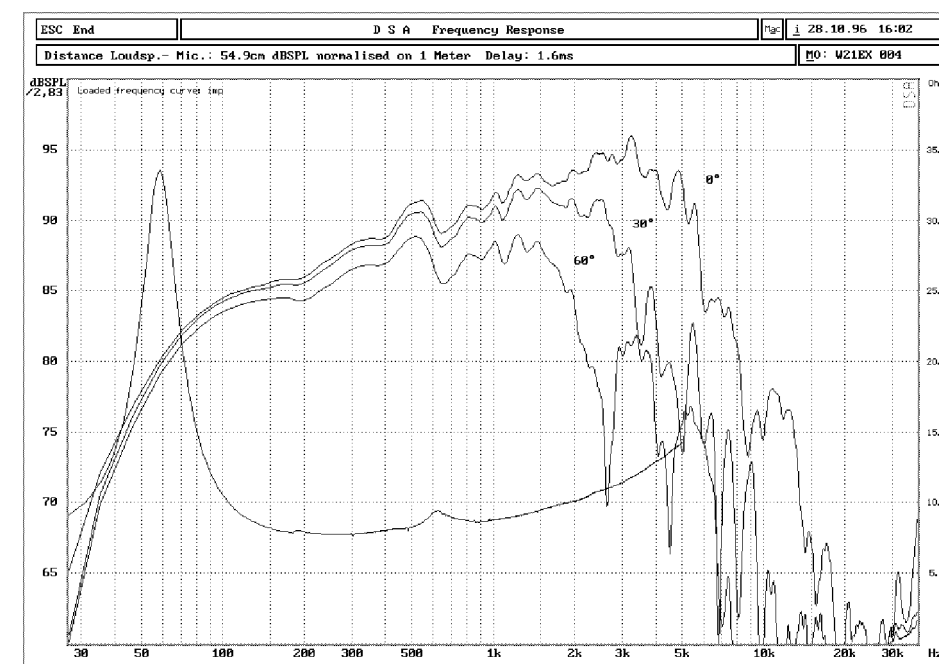
Gold plated terminals mounted on a stiff bakelite plate to reduce contact resistance and improve reliability.

Stiff and stable injection moulded metal basket to keep the critical components in perfect alignment.

NOMINAL IMPEDANCE	8 Ohms	VOICE COIL RESISTANCE	6,4 Ohms
RECOMMENDED FREQUENCY RANGE	30-3000 Hz	VOICE COIL INDUCTANCE (EQUIVALENT)	0,32 mH
SHORT TERM MAXIMUM POWER *	250 W	FORCE FACTOR	8,5 N/A
LONG TERM MAXIMUM POWER*	120 W	FREE AIR RESONANCE	31 Hz
CHARACTERISTIC SENSITIVITY (1W, 1m)	91,0 dB SPL	MOVING MASS	26 g
OPERATING POWER (96 dB SPL ,1 m)	3,2 W	AIR LOAD MASS IN IEC BAFFLE	2,0 g
VOICE COIL DIAMETER	39 mm	SUSPENSION COMPLIANCE	1,2 mm/N
VOICE COIL HEIGHT	18 mm	SUSPENSION MECHANICAL RESISTANCE	2,0 Ns/m
AIR GAP HEIGHT	6,0 mm	EFFECTIVE PISTON AREA	220 sq.cm
LINEAR COIL TRAVEL (p-p)	12,0 mm	VAS	63,8 Litres
MAXIMUM COIL TRAVEL (p-p)	19 mm	QMS	2,73
MAGNETIC GAP FLUX DENSITY	1,0 T	QES	0,48
MAGNET WEIGHT	0,64 Kg	QTS	0,41
TOTAL WEIGHT	2,16 Kg		

* IEC 268-5

Response curve recorded in anechoic chamber (Free-field, 4 pi radiation) with 0.5m microphone distance. The loudspeaker is mounted in a closed box of 20 l net. volume



Distortion on axis in % between 25 and 2000 Hz at operating power.

