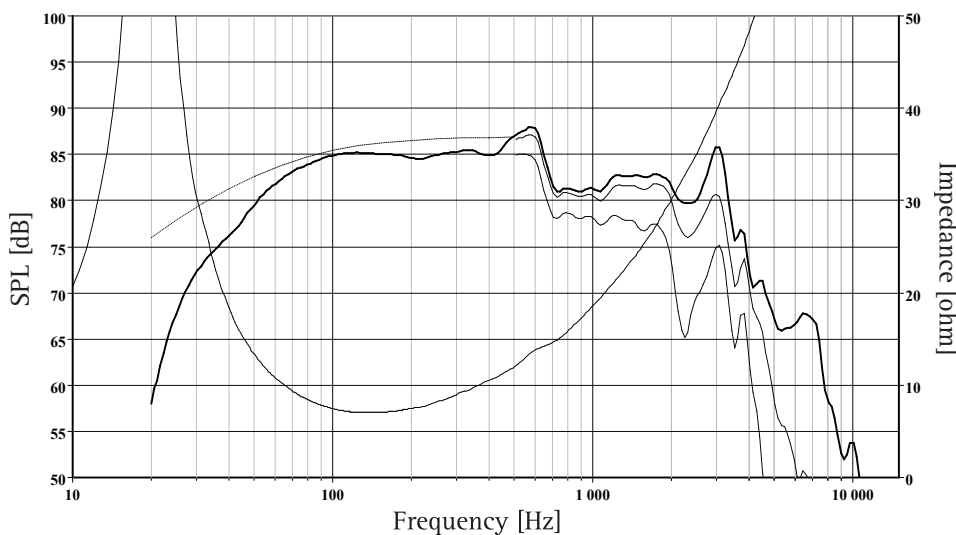




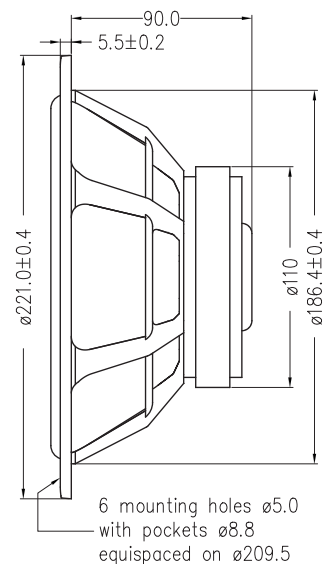
Double treated, hard paper cone designed to be very stiff without losing the damping capability, together with a natural rubber surround produces a well behaved roll off characteristic and reduces potential resonance problems.

Large magnet system with bumped back plate together with a long 4-layer voice coil gives long linear excursion. The magnet system has a T-shaped cross section of the pole piece for low modulation distortion.

Extremely stiff and stable injection moulded metal basket keeps the critical components in perfect alignment. Large windows in the basket both above and below the spider reduce sound reflexion, air flow noise and cavity resonances.



The frequency responses above show measured free field sound pressure in 0, 30, and 60 degrees angle using a 21l closed box. Input 2.83 V_{RMS}, microphone distance 0.5m, normalized to SPL 1m. The dotted line is a calculated response in infinite baffle based on the parameters given for this specific driver. The impedance is measured in free air without baffle using a 2V sine signal.



Nominal Impedance	8 Ohms	Voice Coil Resistance	6.1 Ohms
Recommended Frequency Range	20 - 2500 Hz	Voice Coil Inductance	3.47 mH
Short Term Power Handling *	250 W	Force Factor	11.4 N/A
Long Term Power Handling *	100 W	Free Air Resonance	20 Hz
Characteristic Sensitivity (2.83V, 1m)	87 dB	Moving Mass	41.6 g
Voice Coil Diameter	39 mm	Air Load Mass In IEC Baffle	2.02 g
Voice Coil Height	20 mm	Suspension Compliance	1.5 mm/N
Air Gap Height	6 mm	Suspension Mechanical Resistance	1.67 Ns/m
Linear Coil Travel (p-p)	14 mm	Effective Piston Area	230 cm ²
Maximum Coil Travel (p-p)	21 mm	VAS	108 Litres
Magnetic Gap Flux Density	0.9 T	QMS	3.28
Magnet Weight	0.64 kg	QES	0.26
Total Weight	2.20 kg	QTS	0.24