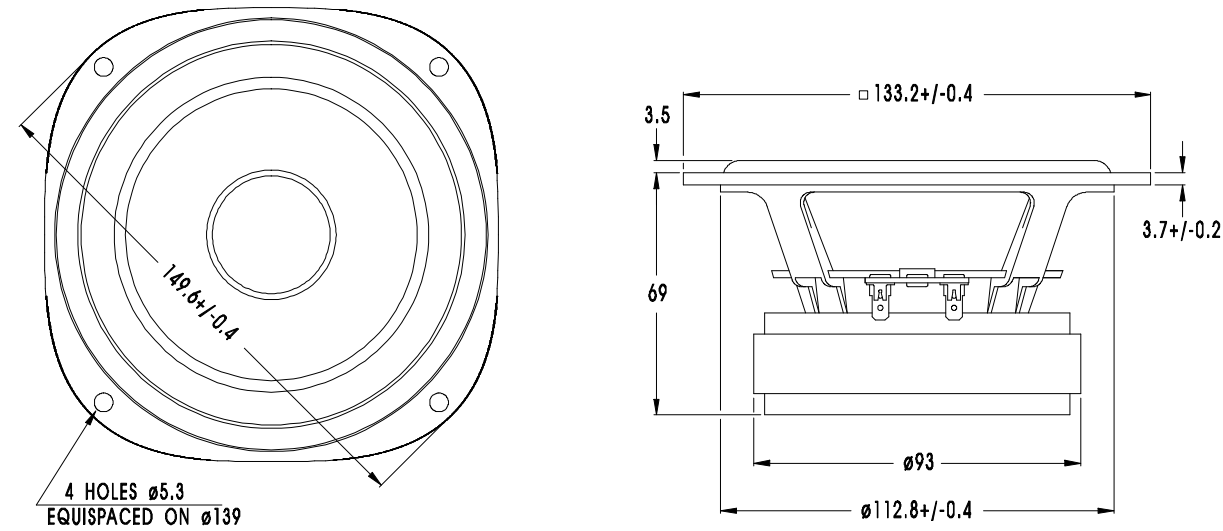


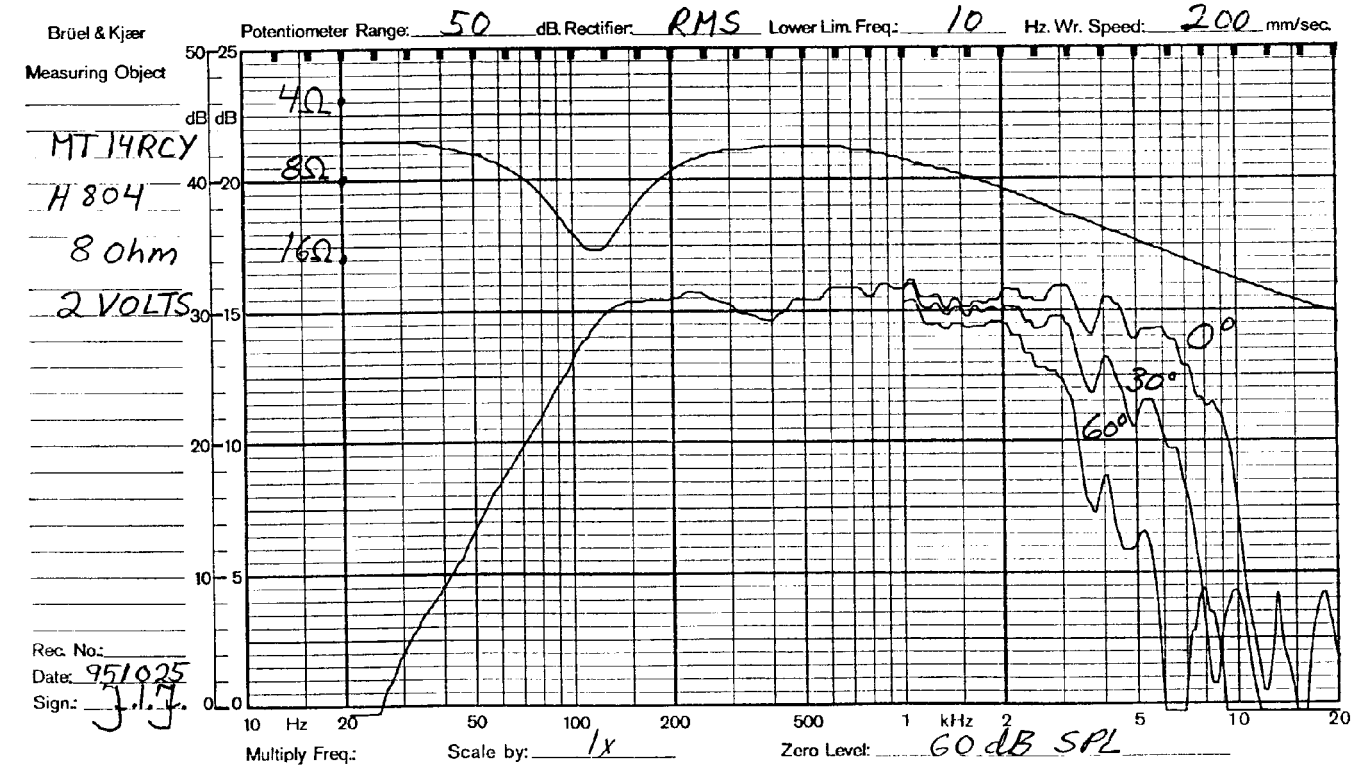
MIDRANGE MT14RCY



MT14RCY is a 5" High Fidelity midrange unit with a stiff and stable injection moulded metal chassis. Careful matching of a TPX/PP based cone, a high loss rubber surround and a PVC dust cap has resulted in a well behaved frequency response, even in the upper roll off region. A high temperature voice coil wound on an aluminium voice coil former gives a high power handling capacity. Thanks to this and excellent linearity, the unit will perform well even far down into the bass region. The MT14RCY is equipped with a heavy magnet structure for improved efficiency and voice coil control. A rear enclosure with optimized shape and volume is available.

NOTES

Response curve recorded in anechoic chamber (Free-field, 4 pi radiation) with 0.5m microphone distance. The loudspeaker with a 1.7 l rear chamber is mounted in a standard IEC baffle.



NOMINAL IMPEDANCE	8 Ohms	VOICE COIL RESISTANCE	5.7 Ohms
RECOMMENDED FREQUENCY RANGE	100-3500 Hz	VOICE COIL INDUCTANCE (EQUIVALENT)	0.65 mH
SHORT TERM MAXIMUM POWER *	400 W	FORCE FACTOR	7.0 N/A
LONG TERM MAXIMUM POWER*	110 W	FREE AIR RESONANCE	41 Hz
CHARACTERISTIC SENSITIVITY (1W, 1m)	87 dB SPL	MOVING MASS	10.0 g
OPERATING POWER (96 dB SPL, 1 m)	8.0 W	AIR LOAD MASS IN IEC BAFFLE	0.5 g
VOICE COIL DIAMETER	26 mm	SUSPENSION COMPLIANCE	1.4 mm/N
VOICE COIL HEIGHT	12 mm	SUSPENSION MECHANICAL RESISTANCE	2.5 Ns/m
AIR GAP HEIGHT	6.0 mm	EFFECTIVE PISTON AREA	80 sq.cm
LINEAR COIL TRAVEL (p-p)	6.0 mm		
MAXIMUM COIL TRAVEL (p-p)	---	VAS	12.8 Litres
MAGNETIC GAP FLUX DENSITY	1.25 T	QMS	1.08
MAGNET WEIGHT	0.42 Kg	QES	0.31
TOTAL WEIGHT	1.25 Kg	QTS	0.24

* IEC 268-5, VIA HIGH PASS BUTTERWORTH FILTEI 250Hz 6 dB/oct.