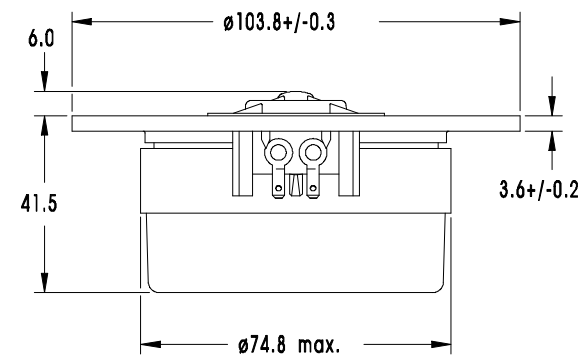
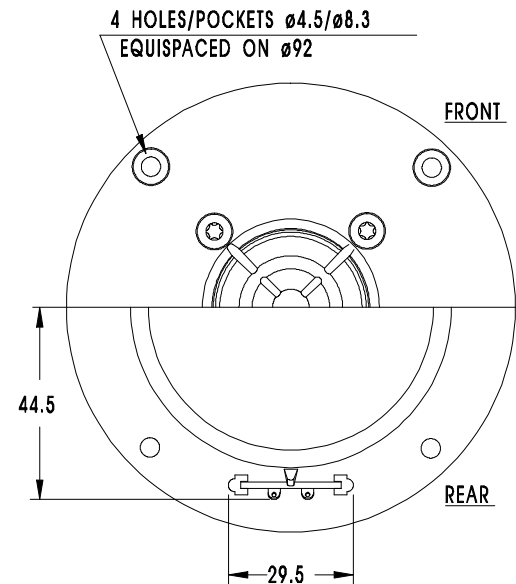


TWEETER

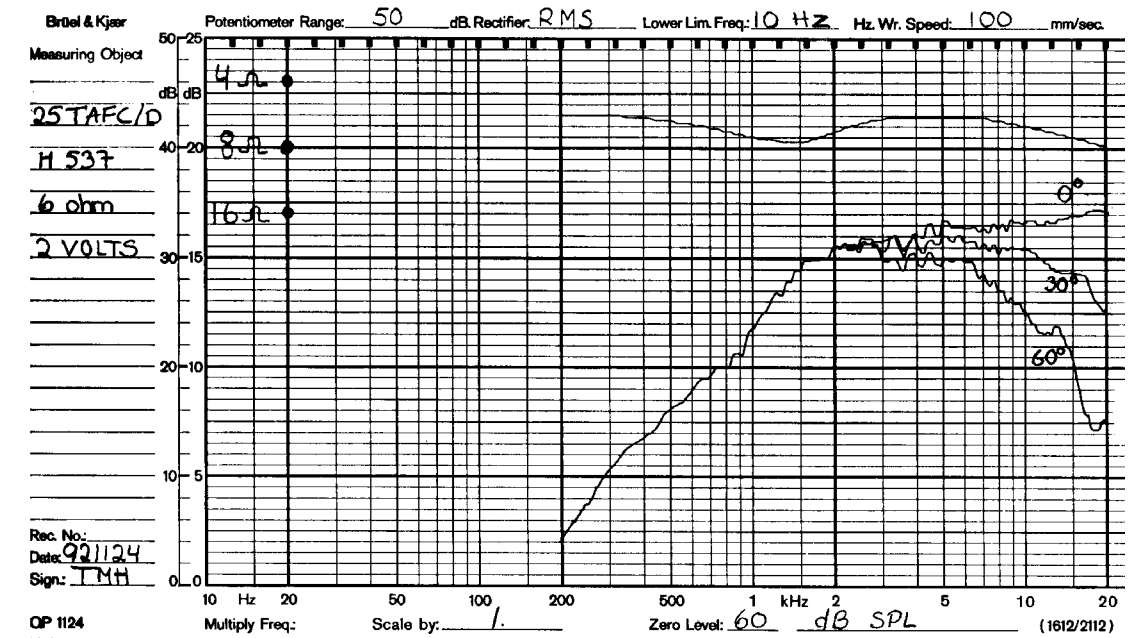
25TAFC/D



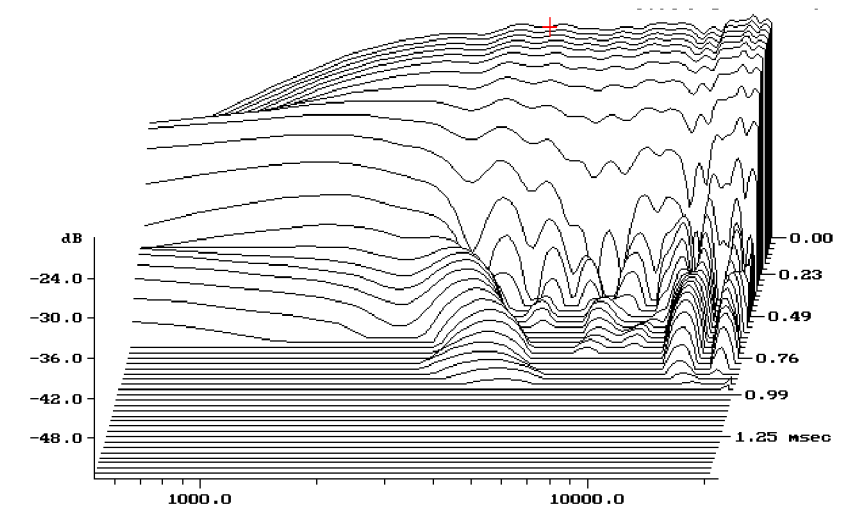
25mm High Fidelity dome tweeter with glass fibre reinforced plastic chassis. The unit features high efficiency and smooth, extended response. Its aluminium diaphragm with critically designed shape and thickness behaves like a piston throughout the audible frequency range, resulting in good dispersion above 10 kHz. A carefully designed diffuser protects the diaphragm and compensates for a slight axial roll off towards 20 kHz. The specially designed soft surround allows a low fundamental frequency and excellent mechanical linearity. A damped hole in the pole piece and a tuned chamber behind the magnet, result in a low resonance frequency. The voice coil is immersed in magnetic fluid, allowing high power handling capacity and simplified crossover design.

NOTES

Response curve recorded in an anechoic chamber (Free-field, 4 pi radiation) with 0.5m microphone distance. The loudspeaker is mounted in a 0.6m by 0.8m baffle.



Cumulative spectral decay



NOMINAL IMPEDANCE	6 Ohms	VOICE COIL RESISTANCE	4.8 Ohms
RECOMMENDED FREQUENCY RANGE	2000-25000 Hz	VOICE COIL INDUCTANCE (EQUIVALENT)	0.05 mH
SHORT TERM MAXIMUM POWER*	220 W	VOICE COIL DIAMETER	26 mm
LONG TERM MAXIMUM POWER*	90 W	VOICE COIL HEIGHT	1.5 mm
CHARACTERISTIC SENSITIVITY (1W, 1m)	90 dB SPL	MOVING MASS	0.33 g
OPERATING POWER (96 dB SPL, 1 m)	4.0 W	EFFECTIVE PISTON AREA	7.0 sq.cm
		LINEAR COIL TRAVEL (p-p)	0.5 mm
AIR GAP HEIGHT	2.0 mm	FREE AIR RESONANCE	1200 Hz
MAGNETIC GAP FLUX DENSITY	1.8 T		
FORCE FACTOR	3.5 N/A		
MAGNET WEIGHT	0.25 Kg		
TOTAL WEIGHT	0.50 Kg		

* IEC 268-5, VIA HIGH PASS BUTTERWORTH FILTER: 3000 Hz 12 dB/oct.